

1. Single /interconnected operation of the COMBIVERT R5-C

1.1 Single operation (Single)

The COMBIVERT R5-C is delivered as single unit ex factory. Further settings are not necessary. Ground fault (GF) test and precharging are activated at this.



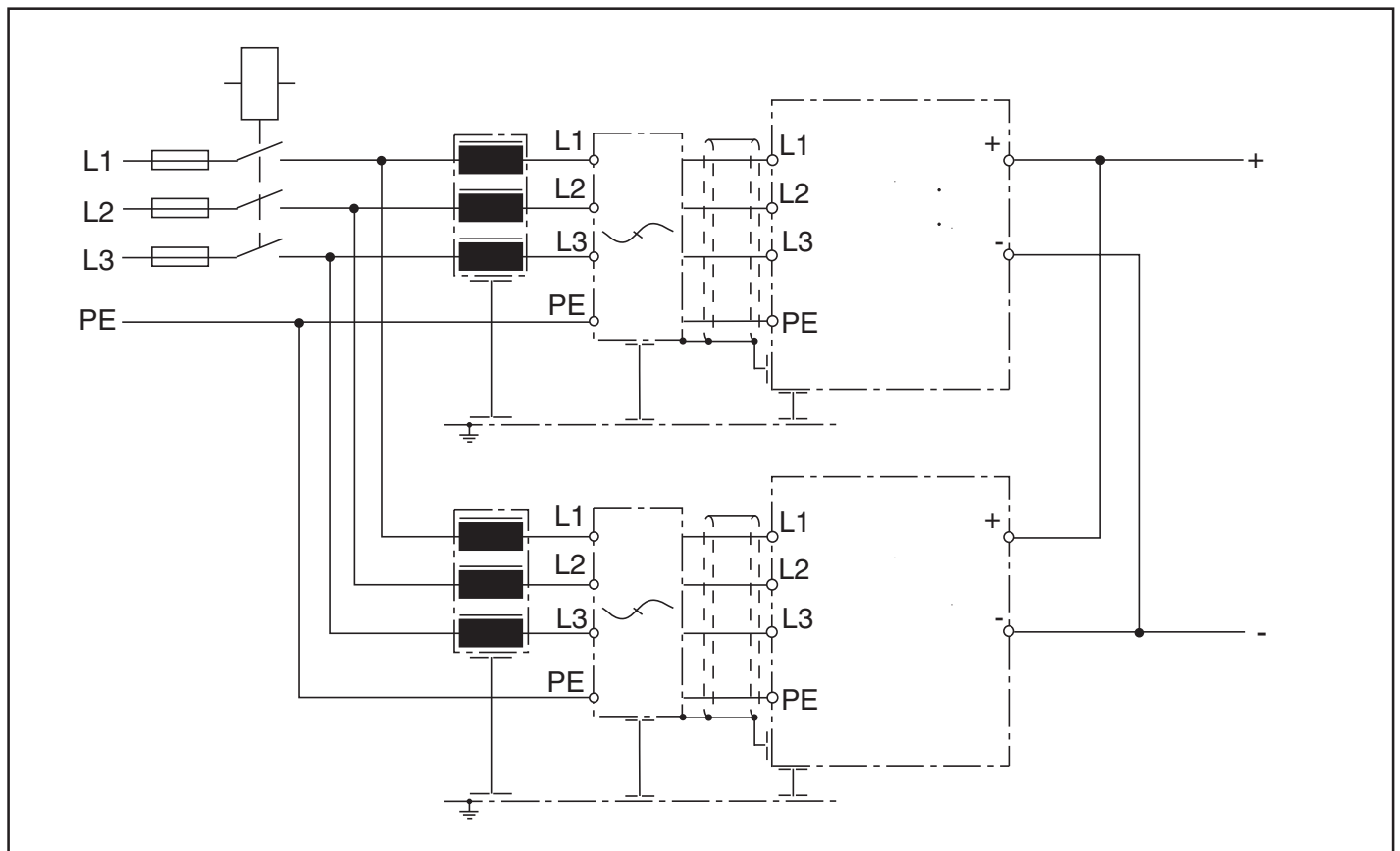
By loading the default parameters (customer and/or system) COMBIVERT R5-C is set on single operation. Attention, change the corresponding parameters with use in the interconnected operation.

1.2 Interconnected operation (Master/Slave)

The following settings must be changed in the interconnected operation:

- Master
 - Set Parameter do.01 to value „12“
- Slave
 - Set Parameter XY.02 to value „1“. Attention, thus the ground fault(GF) test of this unit is switched off. Setting the inputs „Start“ and „I5“ (X2A.16 and X2A.14) leads to the start of the precharging without ground fault (GF) test.

1.3 Connection of the power circuits in the interconnect operation



1.4 Connection of the controls in the interconnected operation

| Master | | Slave |
|----------------|-------|----------------|
| Start (X2A.16) | ----> | Start (X2A.16) |
| 0V (X2A.22) | ----> | 0V (X2A.22) |
| O2 (X2A.19) | ----> | I5 (X2A.14) |

During evaluation of the warning or fault relay this must be switched in series connection.

